



**ERICSSON**

Ericsson Antenna Technology Germany GmbH • Klepperstraße 26 • 83026 Rosenheim • Germany

# Kathrein Mobile Communication – now part of Ericsson

Ericsson Antenna Technology  
Germany GmbH  
Klepperstraße 26  
83026 Rosenheim  
Germany

Phone: +49 8031 184-0  
Fax: +49 8031 184-306  
www.kathrein.com

Company Responsible:  
Markus Feld

VAT Reg. No.: DE 324 954 029  
Tax ID No.: 103/5725/3930

BNP Paribas  
IBAN: NL05 BNPA 0227 7141 56  
BIC: BNPANL2AXXX

Zum 1. Oktober 2019 ist die Kathrein Mobile Communication die Ericsson Antenna Technology Germany GmbH (im Folgenden auch „EAG“), eine mit Gesellschaftsvertrag vom 16. Januar 2019 neu gegründete Gesellschaft mit beschränkter Haftung (GmbH) nach deutschem Recht mit Sitz in Rosenheim (Geschäftsanschrift: Prinzenallee 21, 40549 Düsseldorf). EAG ist im Handelsregister B des Amtsgerichts Traunstein unter der Nr. HRB 27988 eingetragen und hat ein Stammkapital von derzeit EUR 2.000.000,00. EAG wird vertreten durch den Geschäftsführer Markus Feld. Alleinige Gesellschafterin von EAG ist die Telefonaktiebolaget LM Ericsson (publ), eine börsennotierte Aktiengesellschaft nach schwedischem Recht.

Die neuen Firmendaten lauten seither wie folgt:  
**Ericsson Antenna Technology Germany GmbH**  
Klepperstraße 26  
83026 Rosenheim, Germany  
UST-Ident-Nr: DE 324 954 029  
Steuer-Nr.: 103/5725/3930

As of 1 October 2019, Kathrein Mobile Communication is Ericsson Antenna Technology Germany GmbH (hereinafter also referred to as "EAG"), a limited liability company under German law, newly established by articles of association dated 16 January 2019, with its head office in Rosenheim (business address: Prinzenallee 21, 40549 Düsseldorf, Germany). EAG is registered in the commercial register, section B, of Amtsgericht Traunstein (district court Traunstein) under the number HRB 27988 and has a share capital of currently EUR 2,000,000. EAG is represented by managing director Markus Feld. The sole shareholder of EAG is Telefonaktiebolaget LM Ericsson (publ), a listed stock corporation under Swedish law.

The new company data are as follows:  
**Ericsson Antenna Technology Germany GmbH**  
Klepperstraße 26  
83026 Rosenheim, Germany  
VAT Reg. No.: DE 324 954 029  
Tax ID No.: 103/5725/3930

9360000644

Read more at: [ericsson.com/en/networks/kathrein](http://ericsson.com/en/networks/kathrein)

**4-Port Antenna** Y1 Y2  
**Frequency Range** 3300–3800 3300–3800  
**Dual Polarization** X X  
**HPBW** 65° 65°  
**Adjust. Electr. DT** 2°–12°



set by hand or by optional RCU (Remote Control Unit)

**4-Port Antenna 3300–3800/3300–3800 65°/65° 17.5/17.5dBi 2°–12°T**

<b>Type No.</b>		<b>80010922</b>	
<b>Left side, highband</b>		<b>Y1, connector 1–2</b>	
		<span style="border: 1px solid black; padding: 2px;">3300–3800</span>	
Frequency Range	MHz	3300 – 3590	3600 – 3800
Gain at mid Tilt	dBi	17.5	17.6
Gain over all Tilts	dBi	17.3 ± 0.4	17.4 ± 0.5
<b>Horizontal Pattern:</b>			
Azimuth Beamwidth	°	66 ± 4.6	63 ± 4.9
Front-to-Back Ratio, Total Power, ± 30°	dB	> 23	> 21
Cross Polar Discrimination over Sector	dB	> 12.0	> 9.0
Azimuth Beam Port-to-Port Tracking	dB	< 1.0	< 1.5
<b>Vertical Pattern:</b>			
Elevation Beamwidth	°	6.0 ± 0.3	5.6 ± 0.3
Electrical Downtilt continuously adjustable	°	2.0 – 12.0 (Y1 + Y2 simultaneously)	
Tilt Accuracy	°	< 0.4	< 0.4
First Upper Side Lobe Suppression	dB	> 24	> 23
Upper Side Lobe Suppression, 20° Sector above Main Beam	dB	> 17	> 18
Cross Polar Isolation	dB	> 25, typ. > 28	
Port to Port Isolation	dB	> 27, typ. > 30 (Y1 // Y2)	
Max. Effective Power per Port	W	150 (at 50 °C ambient temperature)	
Max. Effective Power Port 1–2	W	300 (at 50 °C ambient temperature)	

Values based on NGMN-P-BASTA (version 9.6) requirements.



Right side, highband		Y2, connector 3-4	
		<b>3300-3800</b>	
Frequency Range	MHz	3300 – 3590	3600 – 3800
Gain at mid Tilt	dBi	17.5	17.8
Gain over all Tilts	dBi	17.3 ± 0.5	17.6 ± 0.4
<b>Horizontal Pattern:</b>			
Azimuth Beamwidth	°	67 ± 3.8	63 ± 4.1
Front-to-Back Ratio, Total Power, ± 30°	dB	> 23	> 25
Cross Polar Discrimination over Sector	dB	> 12.0	> 9.0
Azimuth Beam Port-to-Port Tracking	dB	< 1.5	< 1.5
<b>Vertical Pattern:</b>			
Elevation Beamwidth	°	5.9 ± 0.4	5.6 ± 0.3
Electrical Downtilt continuously adjustable	°	2.0 – 12.0 (Y1 + Y2 simultaneously)	
Tilt Accuracy	°	< 0.3	< 0.3
First Upper Side Lobe Suppression	dB	> 22	> 22
Upper Side Lobe Suppression, 20° Sector above Main Beam	dB	> 17	> 17
Cross Polar Isolation	dB	> 25, typ. > 28	
Port to Port Isolation	dB	> 27, typ. > 30 (Y2 // Y1)	
Max. Effective Power per Port	W	150 (at 50 °C ambient temperature)	
Max. Effective Power Port 3-4	W	300 (at 50 °C ambient temperature)	

Values based on NGMN-P-BASTA (version 9.6) requirements.

Electrical specifications, all systems		
Impedance	$\Omega$	50
VSWR		< 1.5
Return Loss	dB	> 14
Interband Isolation	dB	> 28
Passive Intermodulation	dBc	< -150 (2 x 43 dBm carrier)
Polarization	$^\circ$	+45, -45
Max. Effective Power for the Antenna	W	400 (at 50 °C ambient temperature)

Values based on NGMN-P-BASTA (version 9.6) requirements.

Mechanical specifications		
Input		4 x 4.3-10 female
Connector Position		bottom
Adjustment Mechanism		1x, Position bottom continuously adjustable
Wind load (at Rated Wind Speed: 150 km/h)	N   lbf	Frontal: 235   53 Maximal: 255   57
Max. Wind Velocity	km/h mph	241 150
Height / Width / Depth	mm inches	970 / 179 / 76 38.2 / 7.0 / 3.0
Category of Mounting Hardware		M (Medium)
Weight	kg lb	5.4 / 7.6 (clamps incl.) 11.9 / 16.7 (clamps incl.)
Packing Size	mm inches	1320 / 190 / 95 52.0 / 7.5 / 3.7
Scope of Supply		Panel and 2 units of clamps for 42–115 mm   1.7–4.5 inches diameter

## Accessories (order separately if required)

Type No.	Description	Remarks mm   inches	Weight approx. kg   lb	Units per antenna
731651	1 clamp	Mast diameter: 28 – 60   1.1 – 2.4	0.8   1.8	2
85010002	1 clamp	Mast diameter: 110 – 220   4.3 – 8.7	2.7   6.0	2
85010003	1 clamp	Mast diameter: 210 – 380   8.3 – 15.0	4.8   10.6	2
737978	1 downtilt kit	Downtilt angle: 0° – 13°	2.3   5.1	1

## Accessories (included in the scope of supply)

738546	1 clamp	Mast diameter: 42 – 115   1.7 – 4.5	1.1   2.4	2
--------	---------	-------------------------------------	-----------	---

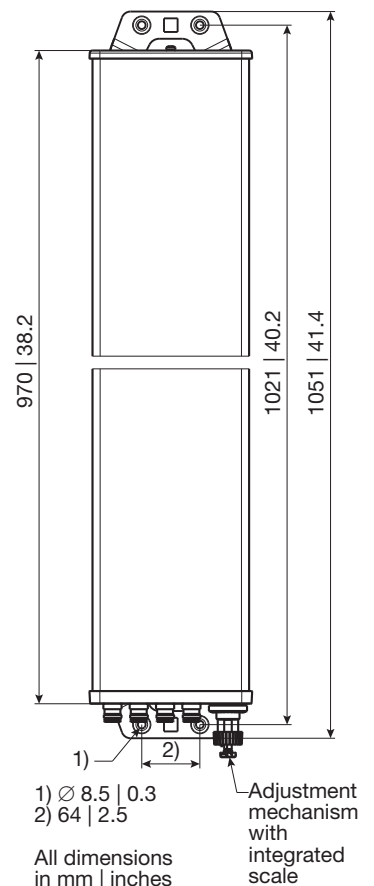
Wall mounting: No additional mounting kit needed.

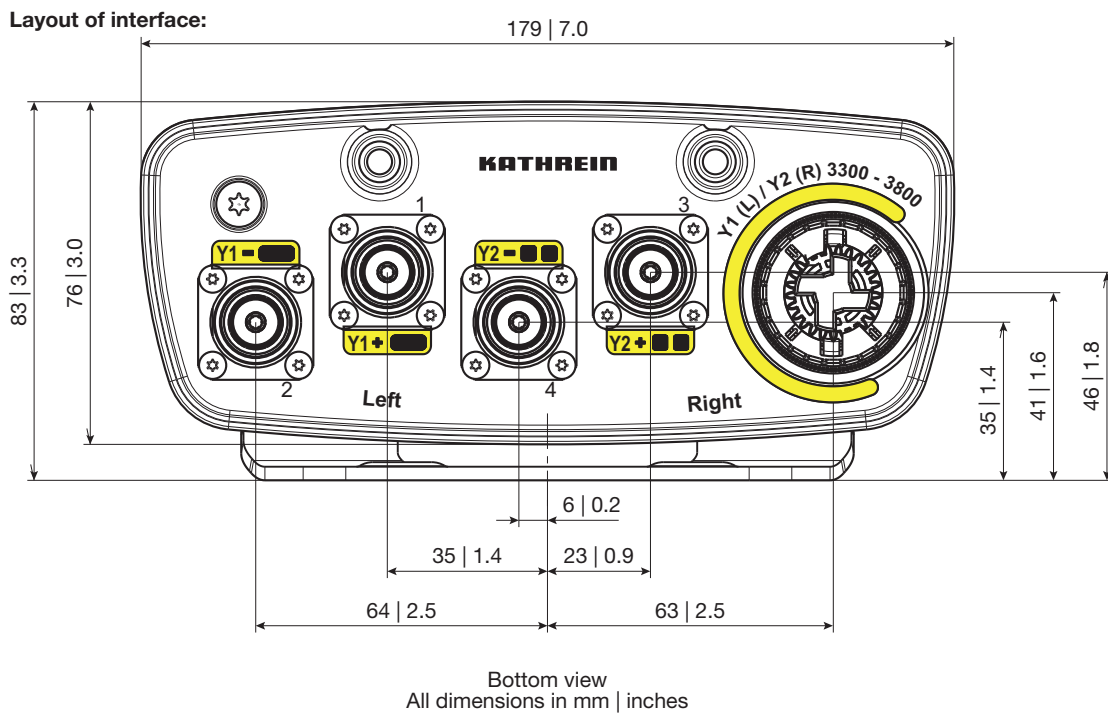
### Material:

**Reflector screen:** Aluminum. **Fiberglass radome:** Fiberglass material guarantees optimum performance with regards to stability, stiffness, UV resistance and painting. The color of the radome is grey.  
**All screws and nuts:** Stainless steel.

### Grounding:

The metal parts of the antenna including the mounting kit and the inner conductors are DC grounded.





### Correlation Table

Frequency range	Array	Connector
3300-3800 MHz	Y1	1-2
3300-3800 MHz	Y2	3-4

